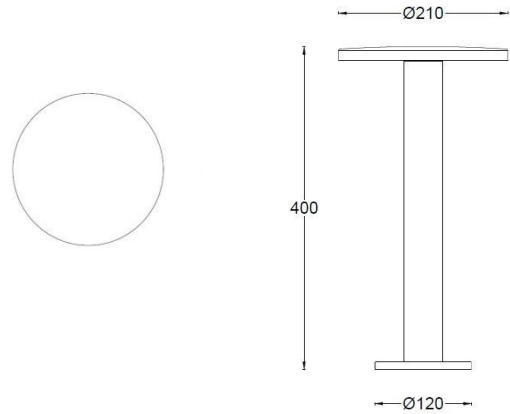


PROJECT:

Product Picture



Line Drawing



Product Description

Mushroom Bollard Luminaires is a series of high-quality lawn lights newly designed by WAC. Designed with IP65 protection grade optical module, aluminum die-cast lamp holder and stainless steel installation fixed base, the Mushroom Bollard Luminaires are exquisite and reliable, and the reinforced aluminum extruded lamp post has strong resistance to damage. Patented Micro Latic ultra-thin optical module, high light efficiency, easy to quickly update and customize, RA85+ light, suitable for all kinds of indoor and outdoor environment lighting.

Product Features

- Body Material: Aluminum die-cast lamp holder, stainless steel mounting base and reinforced aluminum extruded lamp post;
- Optical System: MicroLatic® - Lithography system
- Finish: Static electricity powder coating
- Projection direction: Horizontal direction 0°~330°, downward light
- Accessories/Brackets: /
- Certification:
- IP Rating: IP65
- Insulation Level: Class III
- Operating Temperature: -20°C~50°C

Product Specifications

- LED Type: High Power LED
- Lamp power: 8W Max
- Lamp Flux: 527lm
- LED Type: HP LED
- LED Lifetime: >50000h-L70 /B10-Ta25°C(LM-80/TM-21)
- CRI: 85+CRI
- SDCM: 5 SDCM
- Input: 220V AC / 50Hz
- Dimming: ON-OFF
- Net Weight: 1.7Kg without packing

MUSHROOM - MODEL: AEBM104
 Bollard Luminaires

WAC ARCHITECTURAL

PROJECT:

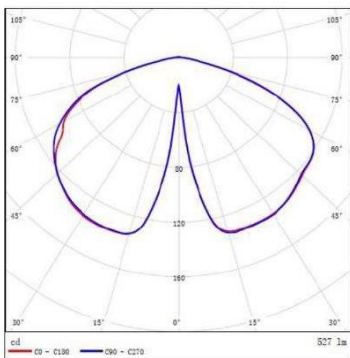
Order Model

Model	Powder	LEDs (quantity)	Control System	Beam direction	Module	CCT	Finish
AEBM104-08	08(Max)	21	EL ON-OFF 220V AC Power Supply	S Single	C Optical Module C	27 2700K 30 3000K 40 4000K	WT White BK Black BZ Bronze

Example: AEBM104-08ELSC30BK

Accessories

Light distribution curve@3000K data



MUSHROOM - MODEL: AEBM106

Bollard Luminaires

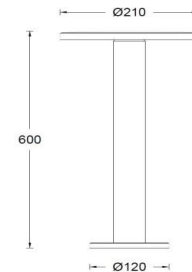
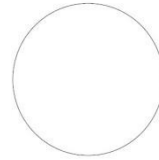
WAC ARCHITECTURAL

PROJECT:

Product Picture



Line Drawing



Product Description

Mushroom Bollard Luminaires is a series of high-quality lawn lights newly designed by WAC. Designed with IP65 protection grade optical module, aluminum die-cast lamp holder and stainless steel installation fixed base, the Mushroom Bollard Luminaires are exquisite and reliable, and the reinforced aluminum extruded lamp post has strong resistance to damage. Patented Micro Latic ultra-thin optical module, high light efficiency, easy to quickly update and customize, RA85+ light, suitable for all kinds of indoor and outdoor environment lighting.

Product Features

- Body Material: Aluminum die-cast lamp holder, stainless steel mounting base and reinforced aluminum extruded lamp post;
- Optical System: MicroLatic® - Lithography system
- Finish: Static electricity powder coating
- Projection direction: Horizontal direction 0°~330°, downward light
- Accessories/Brackets: /
- Certification:
- IP Rating: IP65
- Insulation Level: Class III
- Operating Temperature: -20°C~50°C

Product Specifications

- LED Type: High Power LED
- Lamp power: 8W Max
- Lamp Flux: 527lm
- LED Type: HP LED
- LED Lifetime: >50000h-L70
/B10-Ta25°C(LM-80/TM-21)
- CRI: 85+CRI
- SDCM: 5 SDCM
- Input: 220V AC / 50Hz
- Dimming: ON-OFF
- Net Weight: 1.9Kg without packing

MUSHROOM - MODEL: AEBM106
Bollard Luminaires

WAC ARCHITECTURAL

PROJECT:

Order Model

Model	Powder	LEDs (quantity)	Control System	Beam direction	Module	CCT	Finish
AEBM106-08	08(Max)	21	EL ON-OFF 220V AC Power Supply	S Single	C Optical Module C	27 2700K 30 3000K 41 4000K	WT White BK Black BZ Bronze

Example: EBM106-08EL-SC30BK

Accessories

Light distribution curve@3000K data

